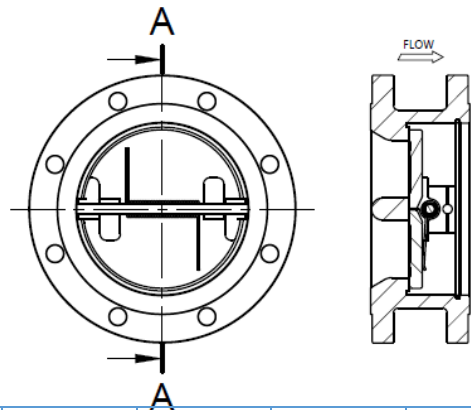




SPECIAL CHARACTERISTICS

- Double flanged type (independent bolting arrangement)
- Retainerless design as standard
- No Leak Path to the Atmosphere
- Metal to metal seating for inherent fire safety
- Resilient Seat option
- API 594 design standard
- ASME B16.34 Pressure/Temp. ratings



Model #	417U	427U	437U	447U	457U	467U	477U	487U	
Body (See Table A)	Bronze	WCB Steel	LCC Steel	316 S.S.	Monel	Titanium	Hastelloy	Duplex SS	
Plates	Bronze	316 S.S.	316 S.S.	316 S.S.	Monel	Titanium	Hastelloy	Duplex SS	
Pin Carriers	Bronze	316 S.S.	316 S.S.	316 S.S.	Monel	Titanium	Hastelloy	Duplex SS	
Pins	316 S.S.	316 S.S.	316 S.S.	316 S.S.	Monel	Titanium	Hastelloy	Duplex SS	
Seat:	Max. Temp See Table A	Max. Temp See Table A	Max. Temp See Table A	Max. Temp See Table A	Max. Temp See Table A	Max. Temp See Table A	Max. Temp See Table A	Max. Temp See Table A	
(Metal) Suffix 'M'	204°C	204°C	204°C	204°C	204°C	204°C	204°C	204°C	
(Viton) Suffix 'V'	250°C	250°C	250°C	250°C	250°C	250°C	250°C	250°C	
(P.T.F.E) Suffix 'P'	120°C	120°C	120°C	120°C	120°C	120°C	120°C	120°C	
(Neoprene) Suffix 'N'	120°C	120°C	120°C	120°C	120°C	120°C	120°C	120°C	
Buna-N Suffix 'B'	120°C	120°C	120°C	120°C	120°C	120°C	120°C	120°C	
EPDM Suffix 'E'	250°C	250°C	250°C	250°C	250°C	250°C	250°C	250°C	
Peeek Suffix 'K'									
Spring:	Inconel Inconel-X Titanium Hastelloy	Suffix 'I' Suffix 'X' Suffix 'T' Suffix 'H'	Table A - Metal Bronze C95800 Carbon Steel Stainless Steel Monel Titanium Gr2 Hastelloy C276 Duplex Stainless Steel (F51)				Max. Temp 260°C 425°C 538°C 475°C 316°C 675°C 315°C		
Retaining Clip	316 S.S.								
Lug Bearings	316 S.S.								

Working Pressure up to BarG

Abacus Valves International Ltd
Block 4, Riverside Road,
Paddockholm Ind. Est.,
Kilbirnie. KA25 7EW
t: +44(0)1505 681777
www.abacusvalves.com
sales@abacusvalves.com

Notes:

- Wafer pattern design offers significant space and weight reduction compared with traditional flanged valve design.
- Superior by design
- 24 hour quotation turn around
- Comprehensive stocks
- Worldwide distribution
- Technical assistance and advice always available

4X7U RANGE—PRINCIPAL DIMENSIONS



ASME B16.5

DN	NPS	ASME Rating	End Facing	ØA (mm)	B (mm)	ØC (mm)	Approx Mass (kg)
200	8"	150	RF	345	127	220	42
		300	-	-	-	-	-
		600	-	-	-	-	-
		900	-	-	-	-	-
250	10"	150	RF	405	146	275	86
		300	-	-	-	-	-
		600	RF/RTJ 53	510	213	275	185
		900	RF/RTJ 53	545	241	275	205
300	12"	150	RF	485	181	321	115
		300	RF	520	181	321	145
		600	RF/RTJ 57	560	229	326	225
		900	RF/RTJ 57	610	292	326	350
350	14"	150	RF	535	184	360	140
		300	RF	585	222	360	210
		600	RF/RTJ 61	605	273	360	315
		900	RF/RTJ 62	640	356	356	560

DN	NPS	ASME Rating	End Facing	ØA (mm)	B (mm)	ØC (mm)	Approx Mass (kg)
400	16"	150	RF	595	191	406	170
		300	RF	650	232	406	310
		600	RF/RTJ 65	685	305	406	430
		900	RF/RTJ 66	705	384	390	600
450	18"	150	RF	635	203	458	210
		300	RF	710	264	458	400
		600	RF/RTJ 69	745	362	458	605
		900	RF/RTJ 70	785	451	458	860
500	20"	150	RF	700	219	508	290
		300	RF	775	292	508	490
		600	RF/RTJ 73	815	368	508	760
		900	RF/RTJ 74	855	451	500	1055
600	24"	150	RF	815	222	610	380
		300	RF	915	318	610	690
		600	RF/RTJ 77	940	438	610	1250
		900	RF/RTJ 78	1040	495	600	1890

Abacus Valves International Ltd
 Block 4, Riverside Road,
 Paddockholm Ind. Est.,
 Kilbirnie. KA25 7EW
 t: +44(0)1505 681777
www.abacusvalves.com
sales@abacusvalves.com

Notes:

- Wafer pattern design offers significant space and weight reduction compared with traditional flanged valve design.
- Superior by design
- 24 hour quotation turn around
- Comprehensive stocks
- Worldwide distribution
- Technical assistance and advice always available