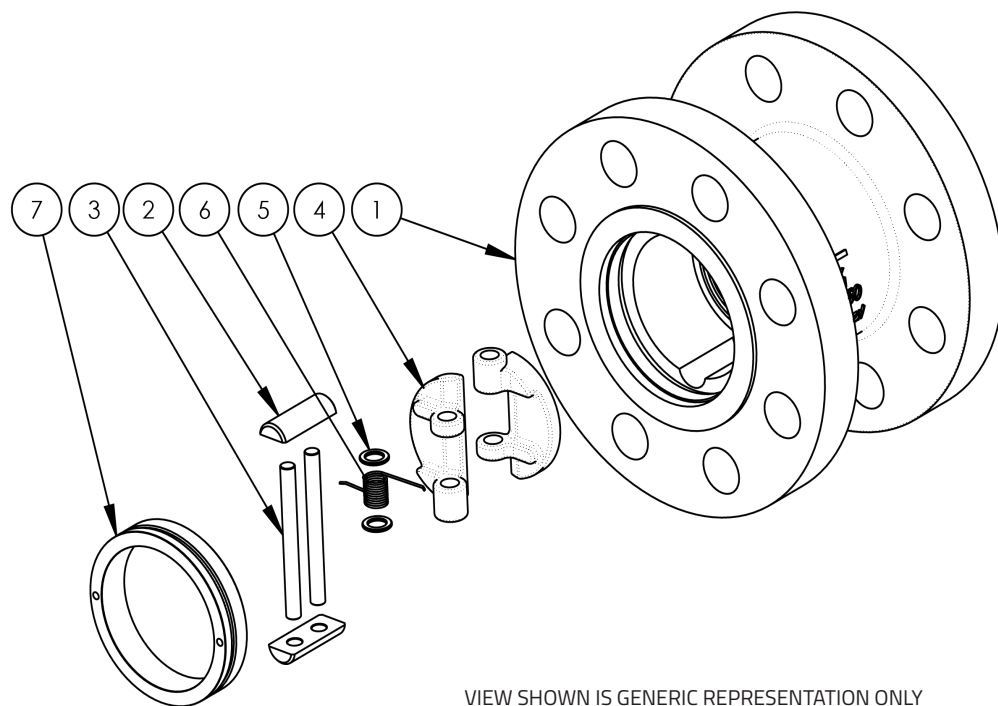


## 4X4 RANGE

- Double flanged, extended body type (Independent bolting arrangement)
- Retainerless design as standard (no leak path to atmosphere)
- Metal to metal seating for inherent fire safety
- Resilient seat option
- API 594 Compliant (except face to face)
- ASME B16.34 Pressure/Temperature ratings
- PED 2014/68/EU (Cat III and below)

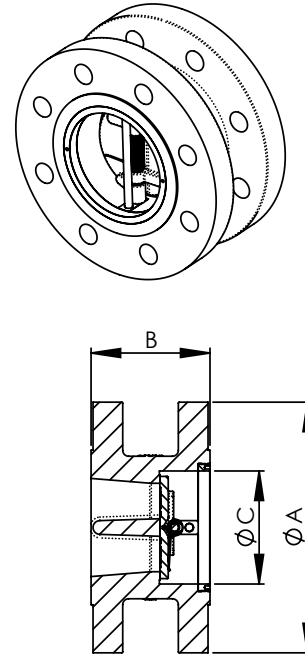


Item No.	Description	Qty
1	BODY	1
2	PIN CARRIER	2
3	PIN	2
4	PLATE DISC	2
5	BEARING	-
6	TORSION SPRING	1
7	FLANGE INSERT	1

# 4X4 PRINCIPAL DIMENSIONS

## ASME B16.5

DN	NPS	ASME Rating	End Facing	ØA (mm)	B (mm)	ØC (mm)	Approx Mass (kg)
50	2"	150	RF	150	114	60	7
		300	RF	165	114	60	8
65	2.5"	150	RF	180	118	60	10
		300	RF	190	118	60	11
80	3"	150	RF	190	121	90	12
		300	RF	210	121	90	15
100	4"	150	RF	230	121	115	18
		300	RF	255	121	115	25
		600	RF	275	165	115	40
150	6"	150	RF	280	130	169	28
		300	RF	320	130	169	42
		600	RF	355	194	169	77
200	8"	300	RF	380	152	220	50
		600	RF	420	219	220	122
250	10"	300	RF	445	178	275	80



FOR ALTERNATIVE PRESSURE RATINGS, FLANGE STANDARDS, FACE TO FACE DIMENSIONS AND LARGER SIZES CONSULT ABACUS VALVES INTERNATIONAL LTD.

### Notes:

Dimension's shown are nominal values only.

Weights may vary depending on manufacturing technique and corrosion allowance requirements.