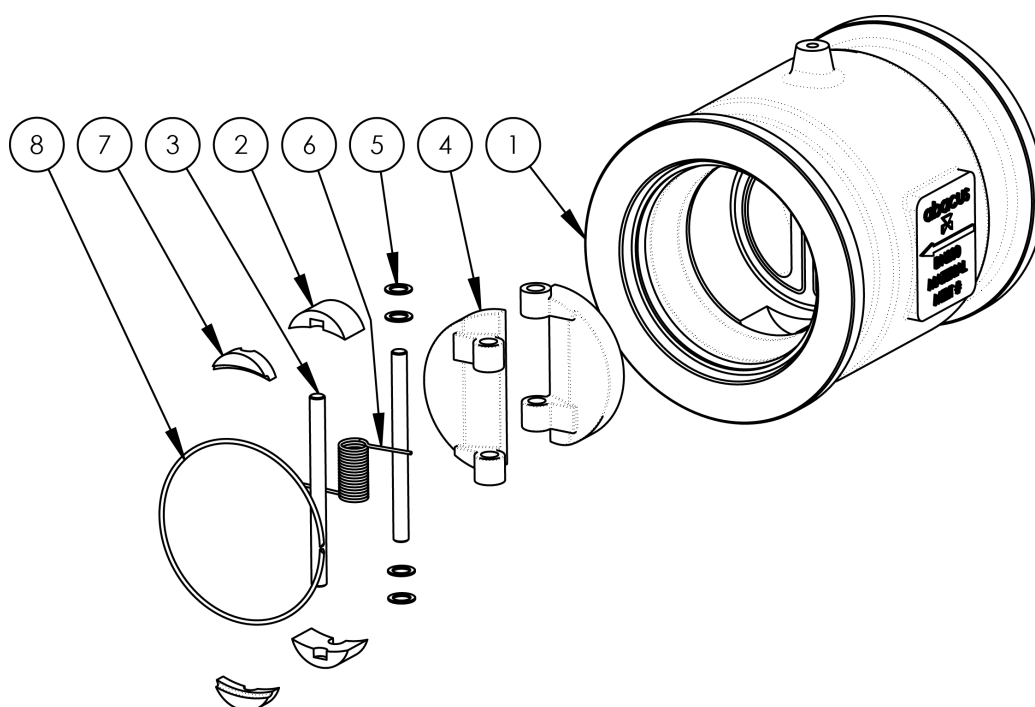


## 4X7H RANGE

- Hub end connection type
- Retainerless design as standard (no leak path to atmosphere)
- Metal to metal seating for inherent fire safety
- Resilient seat option
- ASME B16.34 Pressure/Temperature ratings
- PED 2014/68/EU (Cat III and below)



VIEW SHOWN IS GENERIC REPRESENTATION ONLY

Item No.	Description	Qty
1	BODY	1
2	PIN CARRIER (BTM)	2
3	PIN	2
4	PLATE (DISC)	2
5	BEARING	-
6	TORISON SPRING	1
7	PIN CARRIER (TOP)	2
8	RETAINING CLIP	1

### Notes:

For specific principal dimensions contact Abacus Technical Department.

The 2" version is only available with retainer plugs.

Short and long pattern options available on common hub connector types.

Clamps, seals, mating hub ends and hardware are not supplied as standard with 4X7H range.

Purchaser must supply hub end details.